

4

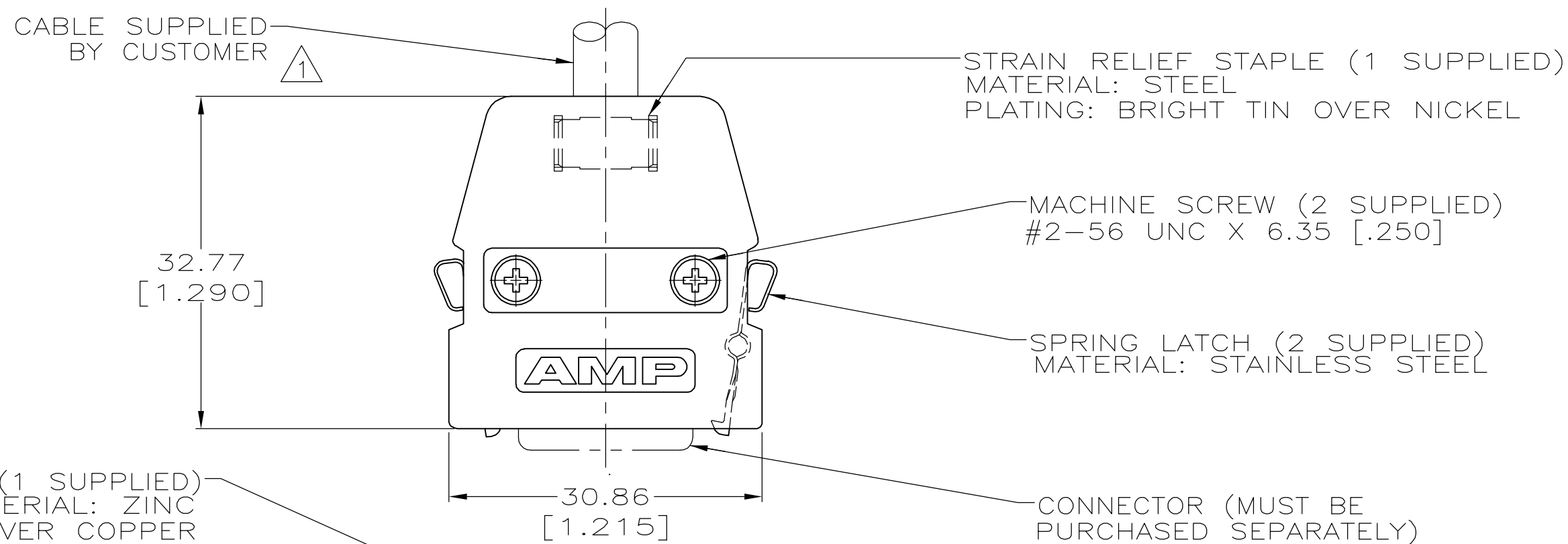
3

2

1

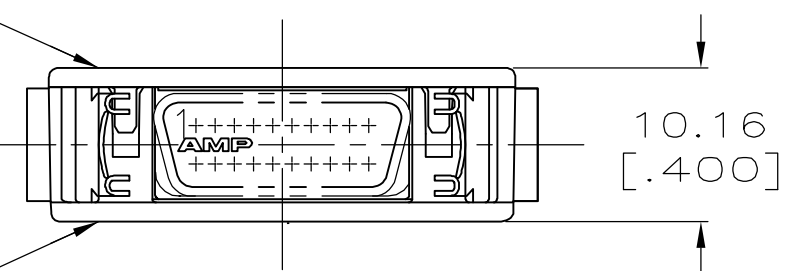
THIS DRAWING IS UNPUBLISHED. RELEASED FOR PUBLICATION
 © COPYRIGHT - BY TYCO ELECTRONICS CORPORATION. ALL RIGHTS RESERVED.

LOC	DIST	REVISIONS					
GP	00	P	LTR	DESCRIPTION	DATE	DWN	APVD
			0	RELEASED PER EC OS13-0001-05	24AUG05	GP	JG



UPPER BACKSHELL (1 SUPPLIED)
MATERIAL: ZINC
PLATING: NICKEL OVER COPPER

LOWER BACKSHELL (1 SUPPLIED)
MATERIAL: ZINC
PLATING: NICKEL OVER COPPER



**COPYRIGHT 2005
 TYCO ELECTRONICS CORP
 ALL RIGHTS RESERVED**

5749190-1
 PART NO.

- ¹ 6.86 [.270] MAX CABLE DIA
- 2. PARTS PACKAGED AS A UNIT KIT.

THIS DRAWING IS A CONTROLLED DOCUMENT.		DWN G.PETERS 24AUG05	Tyco Electronics Corporation Harrisburg, PA 17105-3608	
DIMENSIONS: INCHES		CHK S.SHUEY 24AUG05		
TOLERANCES UNLESS OTHERWISE SPECIFIED:		APVD M.WALMSLEY 24AUG05	NAME INDIVIDUAL KIT, UNASSEMBLED, 20 POSITION, STRAIGHT EXIT, UNKEYED, AMPLIMITE .050 Series	
0 PLC ± - 1 PLC ± - 2 PLC ± - 3 PLC ± 0.38 [.015] 4 PLC ± - ANGLES ± -		PRODUCT SPEC -	RESTRICTED TO -	
MATERIAL -		FINISH -	APPLICATION SPEC -	SIZE A3
		WEIGHT -	CAGE CODE 00779	DRAWING NO C-5749190
CUSTOMER DRAWING			SCALE 2:1	SHEET 1 OF 1
			REV 0	